



E.T.C AUSTRALIA

Tel:+61 08 9437 1313 Fax:+61 08 9437 1103



LB 25/200 ETC LB 35/200 Loadbreak Elbow Connector

For 25kV, 35kV,200A



ETC LB 35/200
Loadbreak Elbow Connector

Electrical Characteristics:

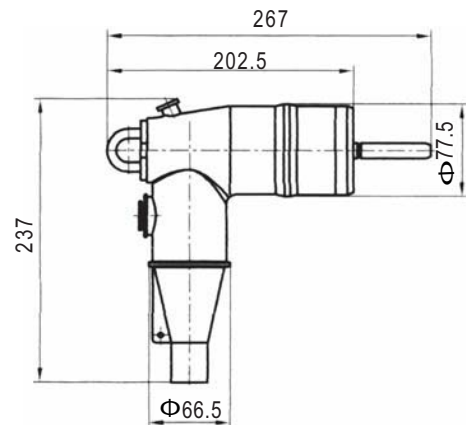
Voltage Ratings and Characteristics		
Description	kV	
Standard Voltage Class	25	35
Maximum Rating Phase-to-phase	15.2	21.1
Maximum Rating Phase-to-ground	26.3	36.6
AC 50 Hz 1 Minute Withstand	45	50
DC 15 Minute Withstand	78	103
BIL and Full Wave Crest	125	150
Minimum Corona	19	26
Current Ratings and Characteristics		
Description	Amperes	
Continuous	200A	
Switching	10operations at 200A,26.3 or36.6kV	
Fault Closure	10kA	
Short Time	10kA rms symmetrical for 0.2s	
	3.5kA rms symmetrical for 3.0s	
Electrical Characteristics are in accordance with or exceed ANSI/IEEE 386-1995.		

General:

The ETC LB 35/200 Loadbreak Elbow connector is a fully-shielded and insulated plug-in termination, rated 200 amps, 25 or 35kV, connected with underground cable ranging from 25 to 120 mm² (conductor cross section). It's loadbreak probe with an ablative arc-follower tip provides dependable loadbreak switching characteristics.

The ETC LB 35/200 Loadbreak Elbows are molded using high quality peroxide-cured EPDM insulation. It is used to connect underground cable to transformers, switchgear and 200 amps junctions equipped with loadbreak bushings. The test point is available for use with hot line voltage indicators. It is the essential component for high-voltage electrical connection of the padmounted transformers, submersible transformer and loadbreak junctions.

DIMENSIONS(mm)



Standard Packaging List:

1	Loadbreak Elbow Connector	7	Silicone Lubricant
2	Test Point Cap	8	Cleaning Paper
3	Loadbreak Probe	9	Cable Preparation Template
4	Compression Connector	10	Installation Instruction Sheet
5	Probe Installation Tool	11	Quality Certificate
6	1.5mm ² Copper Grounding Wire		



E.T.C AUSTRALIA

Tel:+61 08 9437 1313 Fax:+61 08 9437 1103



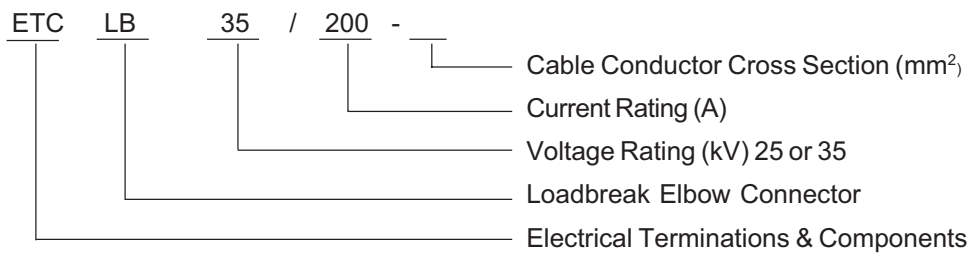
200-17

Ordering Information:

To order a 200 amps, 25kV or 35 kV loadbreak elbow Connector, Please refer to the CODE INFORMATION and select the proper Catalogue Number below.

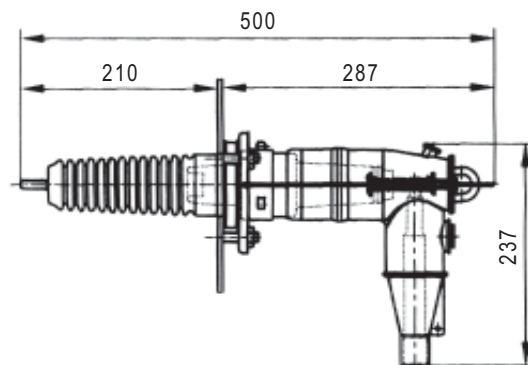
Catalogue Number	Conductor Cross Section(mm ²)*	Current Rating(A)
ETC LB 35/200-50	50	200
ETC LB 35/200-70	70	200
ETC LB 35/200-95	95	200
ETC LB 35/200-120	120	200
ETC LB 35/200-150	150	200
ETC LB 35/200-185	185	200
ETC LB 35/200-240	240	200
ETC LB 35/200-300	300	200

Code Information:



Typical Arrangement:

200A Bushing Well + 200A Bushing Insert + 200A Loadbreak Elbow Connector



Special Operating Tool: Probe Installation Tool: Clampsticks

More Information for cable accessories, installation instructions, technical questions. Please contact your local Electrical Terminations & Components representative or visit our website <http://www.etcaustralia.com.au>