



E.T.C AUSTRALIA

Tel:+61 08 9437 1313 Fax:+61 08 9437 1103



ETC HLI Hot Line Voltage Indicators

For 2-35kV

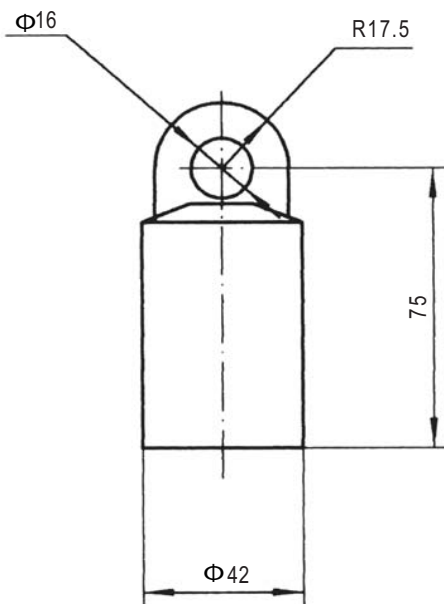


HLI
Hot Line Voltage Indicators

General:

The ETC Type HLI Hot Line Voltage Indicator assemblies can be use on either 200A, 250A or 630A elbow connectors with molded-in test points. The semi-conductive molded rubber housing, epoxy encapsulated electronic componentry and sealed window make the Type HLI Hot Line Voltage Indicator suitable for various situation applications. The indicators require no external power and are maintenance free. The type HLI Hot Line Voltage Indicators are powered by AC potential difference between the capacitive test point and the semiconductive shield integral to the connectors. The indicators incorporate a neon bulb which indicates by a periodic flash when the line is energized above 2kV p-g. The neon bulb flashes at a rate proportional to the AC voltage present.

DIMENSIONS(mm)



Standard Packaging List:

1	Hot Line Voltage Indicator
2	Installation Instruction Sheet
3	Quality Certificate



E.T.C AUSTRALIA

Tel:+61 08 9437 1313 Fax:+61 08 9437 1103

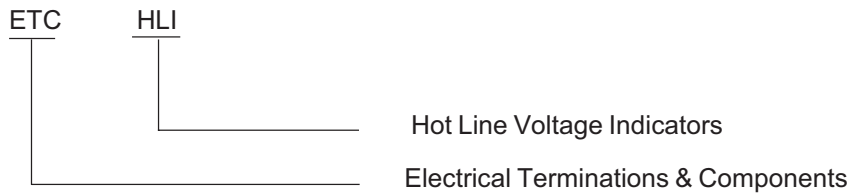


200-16

Ordering Information:

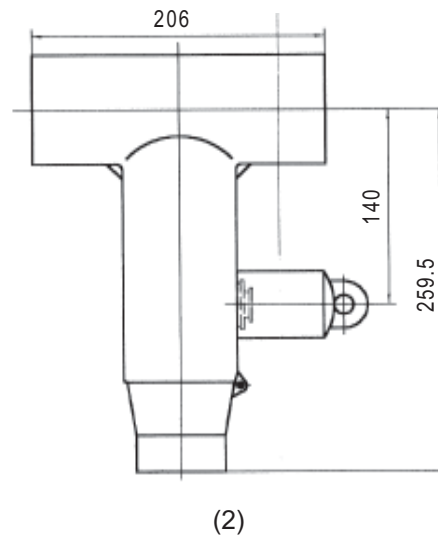
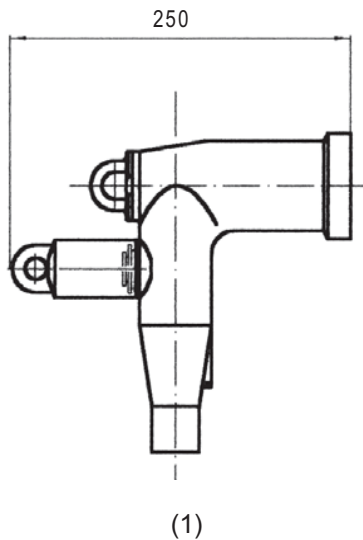
Catalogue Number	Influence Voltage(kV)
ETC HLI	5

Code Information:



Typical Arrangement:

- (1) Hot Line Voltage Indicators + 200A Loadbreak or 250A Deadbreak Elbow Connector
- (2) Hot Line Voltage Indicators + 630A Deadbreak Shielded Fore-Connector



Special Operating Tool: Clampstick

More Information for cable accessories, installation instructions, technical questions. Please contact your local Electrical Terminations & Components representative or visit our website <http://www.etcaustralia.com.au>