



ETC IDB _ - 24/630 Integral Deadbreak Bushing

Up to 24kV, 630 Amp Class



ETC IDB_-24/630
Integral Deadbreak Bushing

Electrical Characteristics:

Voltage Ratings and Characteristics	
Description	kV
Standard Voltage Class	24
Maximum Rating Phase-to-phase	24
AC 50 Hz 1 Minute Withstand	54
DC 15 Minute Withstand	48
BIL and Full Wave Crest	125
20kV Partial Discharge	≤ 10pc
Current Ratings and Characteristics	
Description	Amperes
Continuous	630
24 hour overload	1000
Short Time	50,000 A rms symmetrical for 0.3s 20,000 A rms symmetrical for 4.0 s
Electrical characteristics are in accordance with or exceed DIN 47636 and IEC 60502.4-1997s standards.	

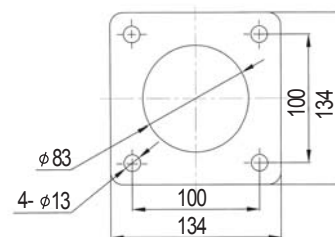
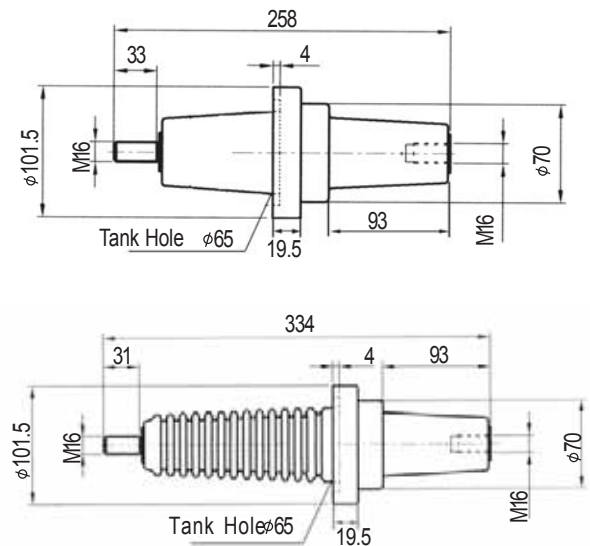
General:

The ETC IDB_-24/630 Integral Deadbreak Bushing combines the advantages of reliable integral design with the operating features required for three-phase switching. The bushing is designed for pad-mounted transformers, switchgear and other apparatus filled with transformer oil, or an approved equivalent. It eliminates the insert-to-well interface present in bushing well and insert primary terminations.

The Bushing is molded with high quality insulating material. When mated with comparably rated products, it provides a fully shielded, submersible and separable connection for loadbreak operation.

The ETC IDB_-24/630 Integral Bushing includes two kinds. Type A is used in oil-insulated apparatus and type B is suitable for the air-insulated devices.

DIMENSIONS(mm)



4-Stud Clamp

Standard Packaging List:

1	Integral Deadbreak Bushing
2	4-Stud Clamp
3	Gasket
4	Silicone Lubricant
5	Cleaning Paper
6	Installation Instruction Sheet



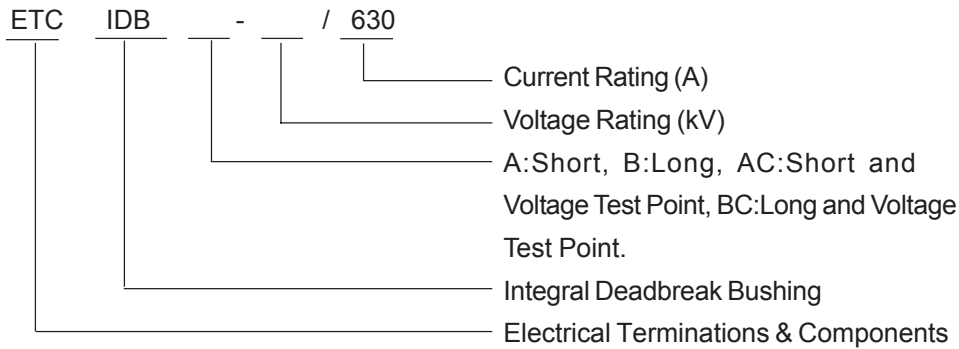
630-11

Ordering Information:

To order a 630 amps, 24kV Integral Deadbreak Bushing kit. Please refer to the CODE INFORMATION and select the proper Catalogue Number below.

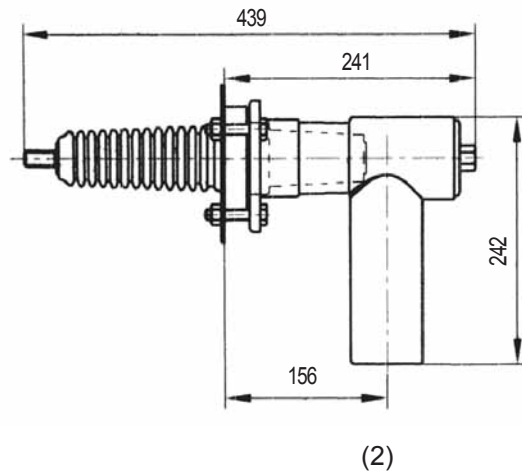
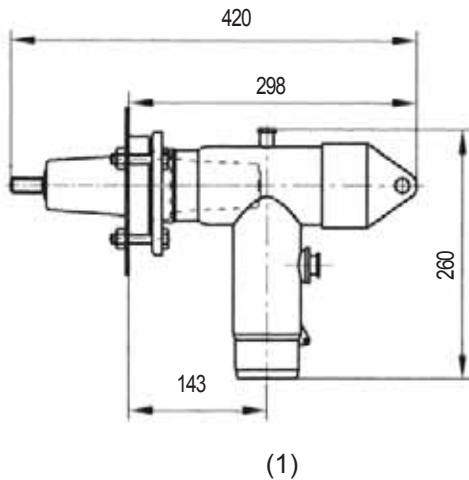
Catalogue Number	Current Rating(A)
ETC IDBA-24/630 ETC YTGZAC-24/630	630
ETC IDBB-24/630 ETC YTGZBC-24/630	630

Code Information:



Typical Arrangement:

- (1) 630A Integral Deadbreak Bushing + Shielded Connector
- (2) 630A Integral Deadbreak Bushing + Unshielded Connector



More Information for cable accessories, installation instructions, technical questions. Please contact your local Electrical Terminations & Components representative or visit our website <http://www.etcaustralia.com.au>