



## ETC DBEC 24/250 Deadbreak Insulated Protective Cap

Up to 24kV, 250 Amp Class



DBEC 24/250  
Insulated Protective Cap

### General:

The ETC DBEC 24/250 Insulated Protective Cap is an accessory device designed to electrically insulate and mechanically seal deadbreak bushing interfaces. It also protects the de-energized interface from dust and damp. The cap can be used for permanent or temporary installation on 250A bushings. If there is a reserved interface in the bushings, the insulated protective cap must be used. This cap is molded of high quality EPDM insulation. When mated to a deadbreak product and the drain wire is attached to ground, the insulating protective cap provides a fully shielded insulating cover for energized deadbreak bushings.

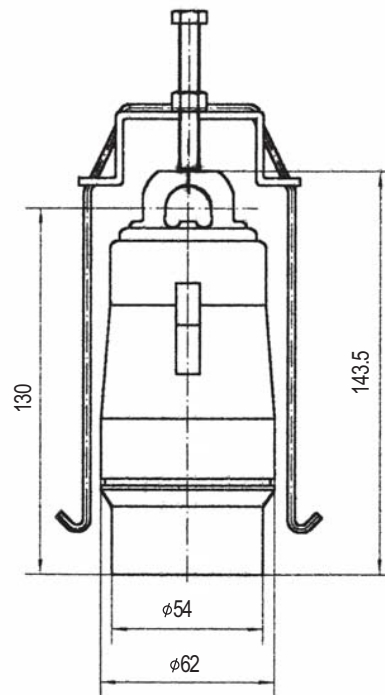
### Electrical Characteristics:

Voltage Ratings and Characteristics	
Description	kV
Standard Voltage Class	24
Maximum Rating Phase-to-ground	12
AC 50 Hz 1 Minute Withstand	54
BIL and Full Wave Crest	125
20kV arrial Discharge	≤ 10pc
Voltage Ratings and characteristics are in accordance with or exceed DIN 47636 and IEC 60502.4-1997s standards.	

### Main Packaging List:

1	Insulated Protective Cap
2	1.5mm <sup>2</sup> Copper Grounding Wire
3	Silicone Lubricant
4	Installation Instruction Sheet
5	Quality Certificate
6	Cleaning Paper

### DIMENSIONS(mm)





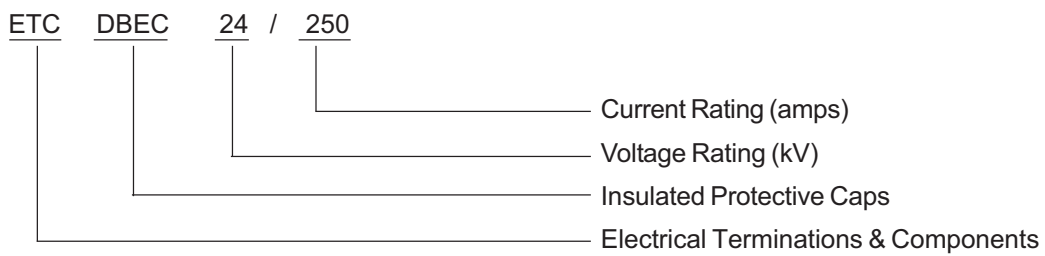
**250-06**

## Ordering Information:

To order a 250 amps,24 kV Insulated Protective Cap. Please refer to the CODE INFORMATION and select the proper Catalogue Number below.

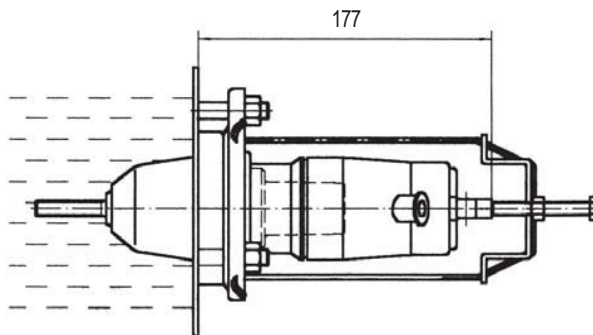
Catalogue Number	Voltage Rating(kV)	Current Rating(Amps)
ETC DBEC 24/250	24	250

## Code Information:



## Typical Arrangement:

250amps Integral Deadbreak Bushing + 250Amps Insulated Protective Cap



## Caution:

- ⚠ All of the spare interfaces must be covered with comparably rated Insulated Protective Cap . Red Shipping Cap is not for energized operation. Do not replace the Insulated Protective Cap with Red Shipping Cap .

More Information for cable accessories, installation instructions, technical questions. Please contact your local Electrical Terminations & Components representative or visit our website <http://www.etcaustralia.com.au>