



ETC SDB 24/250 Deadbreak Straight Connector

Up to 24kV, 250 Amp Class



SDB 24/250
Deadbreak Straight connector

General:

The ETC SDB 24/250 Deadbreak Straight Connector is a fully-shielded and insulated plug-in termination, rated 250 amps, up to 24kV, connected with underground cable ranging from 25 to 120 mm² (conductor cross section).

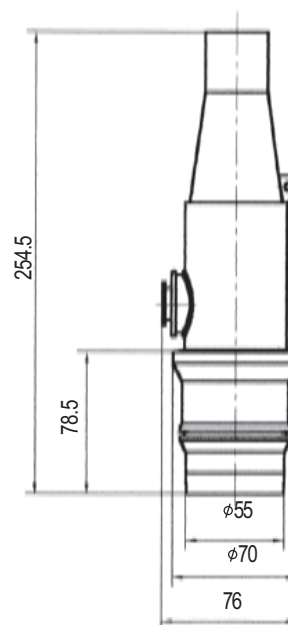
The ETC SDB 24/250 Deadbreak Straight Connectors are molded using high quality peroxide-cured EPDM insulation. It is used to connect underground cable to transformers, switchgear and 250 amps bushings. The test point is available for use with hot line voltage indicators.

It is the essential component for high-voltage electrical connection of the padmounted transformers, submersible transformer, switchgear and deadbreak bushings. The design of the straight connector allows connection of the cable in a straight line, not bent at an angle of 90°.

Electrical Characteristics:

Voltage Ratings and Characteristics	
Description	kV
Standard Voltage Class	24
Maximum Rating Phase-to-ground	12
AC 50 Hz 1 Minute Withstand	54
DC 15 Minute Withstand	48
BIL and Full Wave Crest	125
20kV Partial Discharge	≤10pc
Current Ratings and Characteristics	
Description	Amperes
Continuous	250A
Short Time	10,000 A rms symmetrical for 0.2s 3,500 A rms symmetrical for 3.0 s
Electrical characteristics are in accordance with or exceed DIN 47636 and IEC 60502-4.1997 standards.	

DIMENSIONS (mm)



Standard Packaging List:

1	250Amps Deadbreak Straight Connector	6	Installation Instruction Sheet
2	Integral Copper Compression Connector	7	Quality Certificate
3	Test Point Cap	8	Cleaning Paper
4	Clamping Assembly	9	1.5mm ² Copper Grounding Wire
5	Silicone Lubricant	10	Cable Preparation Template



250-03

E.T.C AUSTRALIA

Tel:+61 08 9437 1313 Fax:+61 08 9437 1103

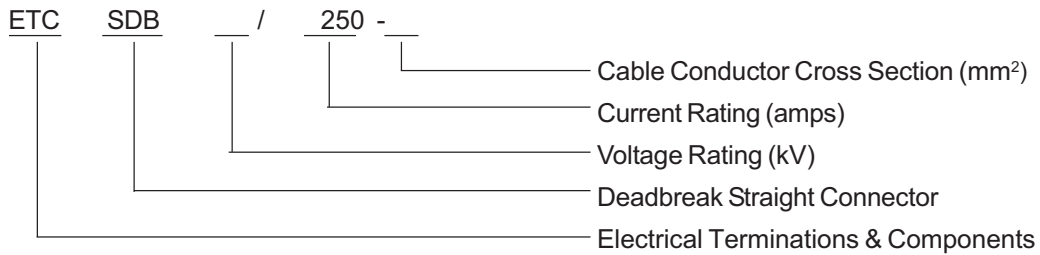


Ordering Information:

To order a 250 amps, 24 kV Deadbreak Straight Connector, Please refer to the CODE INFORMATION and select the proper Catalogue Number below.

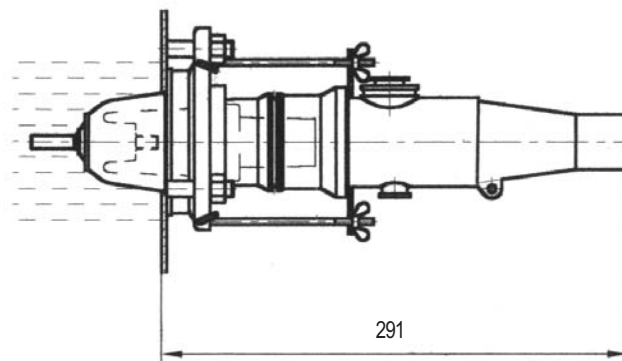
Catalogue Number	Conductor Cross Section(mm ²)*	Current Rating (A)
ETC SDB 24/250-25	25	250
ETC SDB 24/250-35	35	250
ETC SDB 24/250-50	50	250
ETC SDB 24/250-70	70	250
ETC SDB 24/250-95	95	250
ETC SDB 24/250-120	120	250

Code Information:



Typical Arrangement:

200amps Bushing Well + 250amps Deadbreak Bushing Insert + Deadbreak Straight Connector



Special Operating Tool: ϕ 4mm Allen key

More Information for cable accessories, installation instructions, technical questions. Please contact your local Electrical Terminations & Components representative or visit our website <http://www.etcaustralia.com.au>