



ETC DB 36/630 Shielded Fore-Connector

Up to 36kV,630Amp Class



DB 36/630
Shielded Fore-Connector

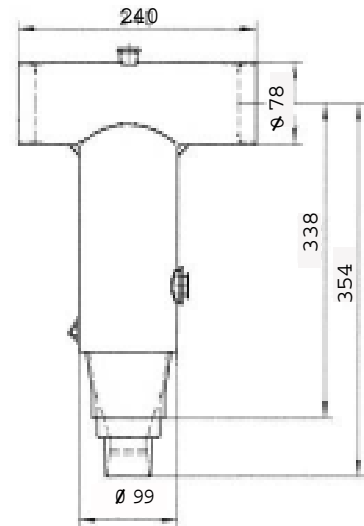
General:

The ETC DB 36/630 Shielded Fore-Connector is shielded and insulated termination, rated 630 amps, up to 36kV, connected with underground cable ranging from 50 to 500 mm²(conductor cross section). It meets the requirements of DIN 47636 Standard. The ETC DB 36/630 Shielded Fore-Connectors are molded using high quality peroxide-cured EPDM insulation. It is used to terminate high-voltage underground cable to transformer,switchgear and power cable pillar. Shielded Fore-Connectors are designed for use on solid dielectric cable(XLPE or EPR).It also can be connected with other connectors in order to provide more cable branch circuits,

Electrical Characteristics:

Voltage Rating and Characteristics	
Description	kV
Standard Voltage Class	36
AC 50 Hz 1 Minute Withstand	81
DC 15 Minute Withstand	103
BIL and Full Wave Crest	150
30kV partial Discharge	≤10pc
Current Ratings and Characteristics	
Description	Amperes
Continue	630A
24 hour overload	1000
Short Time	50,000 A rms symmetrical for 0.2s 20,000 A rms symmetrical for 4.0 s
Electrical characteristics are in accordance with or exceed DIN 47636,IEC 60502.4-1997 and IEEE386-1995 standards.	

DIMENSION (mm)



Main Packaging List:

1	Shielded Fore-Connector	8	Installation Instruction Sheet
2	Cable Adapter	9	Silicone Lubricant
3	Compression Connector	10	Cleaning Paper
4	Insulating Plug	11	Cable Preparation Template
5	Test Point Cap	12	1.5mm ² Copper Grounding Wire
6	Shield Cap		
7	M1658 [#] Threaded Stud		

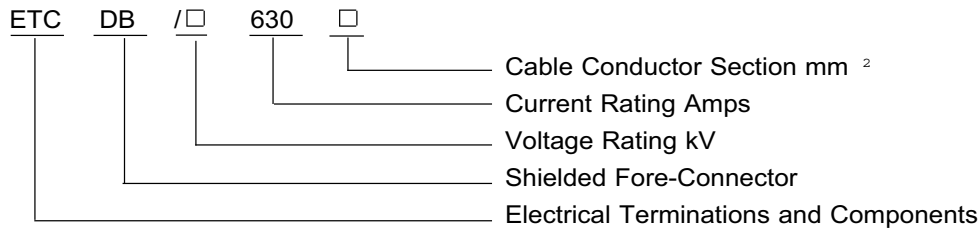


Ordering Information:

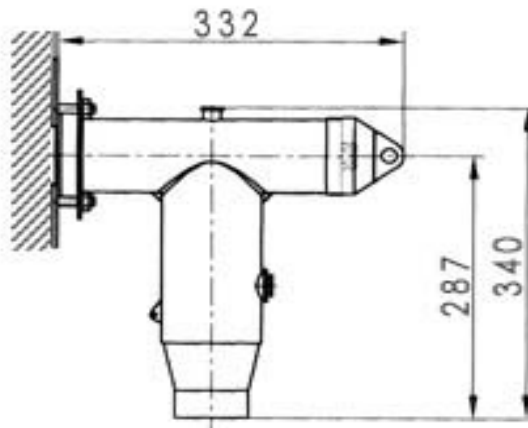
To order a 630 amps,36 kV Shielded Fore-Connector, Please refer to the CODE INFORMATION and select the proper catalogue No. Below.

Catalogue No	Conductor Cross Section(mm ²)	Cable Adapter Diameter(mm)	Cable Insulation Range(mm)
ETC DB 36/630-50	50	25	25.0-27.5
ETC DB 36/630-70	70	26.5	27.0-29.5
ETC DB 36/ 630-95	95	28	28.5-31.5
ETC DB 36/ 630- 120	120	29	30. 0- 32. 5
ETC DB 36/630-150	150	30 or 32	31. 0- 35. 0
ETC DB 36/630-185	185	32 or 33	33. 0-36. 0
ETC DB 36/630-240	240	33 or 35	34. 0- 38.5
ETC DB 36/630-300	300	35 or 37	36.5 - 41.0
ETC DB 36/630-400	400	37 or 39	39. 0- 43. 5

Code Information:



Typical Arrangement: 630amps Bushing + Shielded Fore-Connector



More Information for cable accessories, installation instructions, technical questions, Please contact your local Electrical Terminations and Components representative or visit our website

<http://www.etcaustralia.com.au>