



E.T.C AUSTRALIA

Tel:+61 08 9437 1313 Fax:+61 08 9437 1103



ETC LB 15/200 Loadbreak Elbow Connector

For 15kV, 200A



ETC LB 15/200
Loadbreak Elbow Connector

General:

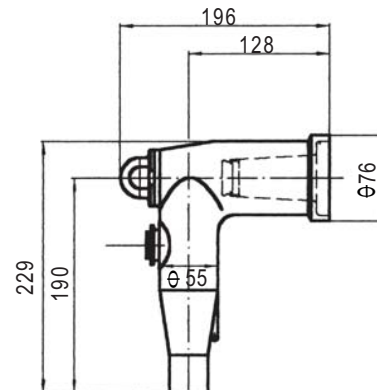
The ETC LB 15/200 Loadbreak Elbow connector is a fully-shielded and insulated plug-in termination, rated 200 amps, 15kV, connected with underground cable ranging from 25 to 120 mm² (conductor cross section). It's loadbreak probe with an ablative arc-follower tip provides dependable loadbreak switching characteristics.

The ETC LB 15/200 Loadbreak Elbows are molded using high quality peroxide-cured EPDM insulation. It is used to connect underground cable to transformers, switchgear and 200 amp junctions equipped with loadbreak bushings. The test point is available for use with hot line voltage indicators.

Electrical Characteristics:

Voltage Ratings and Characteristics	
Description	kV
Standard Voltage Class	15
Maximum Rating Phase-to-phase	14.4
Maximum Rating Phase-to-ground	8.3
AC 50 Hz 1 Minute Withstand	42
DC 15 Minute Withstand	53
BIL and Full Wave Crest	95
15kV Partial Discharge	≤10pC
Current Ratings and Characteristics	
Description	Amperes
Continuous	200A
Switching	10 operations at 200A, 14.4kV
Fault Closure	10kA
Short Time	10kA rms symmetrical for 0.2s
	3.5kA rms symmetrical for 3.0s
Electrical Characteristics are in accordance with or exceed GB/T 12706.4-2002, ANSI/IEEE 386-1995, IEC 60502-4:1997.	

DIMENSIONS (mm)



Standard Packaging List:

1	Loadbreak Elbow Connector
2	Test Point Cap
3	Loadbreak Probe
4	Compression Connector
5	Probe Installation Tool
6	1.5mm ² Copper Grounding Wire
7	Silicone Lubricant
8	Cleaning Paper
9	Cable Preparation Template
10	Installation Instruction Sheet
11	Quality Certificate



E.T.C AUSTRALIA

Tel:+61 08 9437 1313 Fax:+61 08 9437 1103



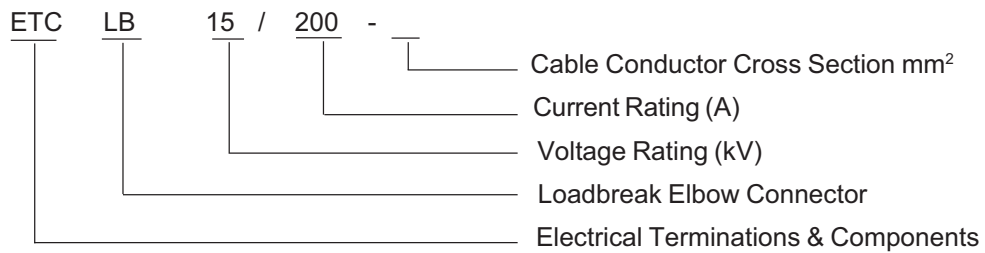
200-02

Ordering Information:

To order a 200 amps, 15 kV Loadbreak Elbow Connector, Please refer to the CODE INFORMATION and select the proper Catalogue Number below.

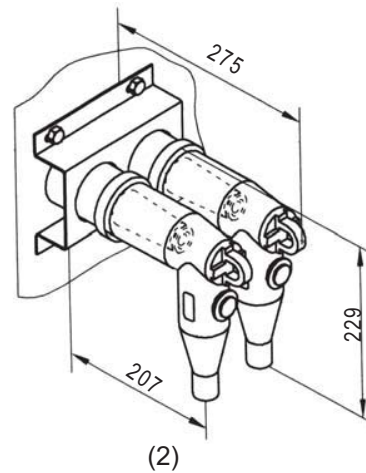
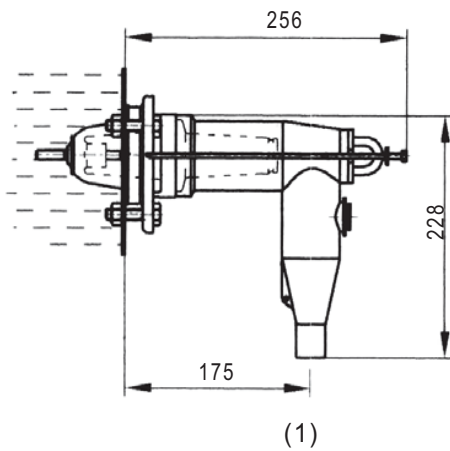
Catalogue No.	Conductor Cross Section(mm ²)*	Current Rating(A)
ETC LB 15/200-25	25	200
ETC LB 15/200-35	35	200
ETC LB 15/200-50	50	200
ETC LB 15/200-70	70	200
ETC LB 15/200-95	95	200
ETC LB 15/200-120	120	200
ETC LB 15/200-150	150	200
ETC LB 15/200-185	185	200
ETC LB 15/200-240	240	200
ETC LB 15/200-300	300	200

Code Information:



Typical Arrangement:

- (1) 200A Bushing Well + 200A Bushing Insert + 200A Elbow Connector + 3-Stud Clamp + Clamping Assembly
- (2) 200A Loadbreak Junction + Mounting Bracket + 200A Elbow Connector



Special Operating Tool: Probe Installation Tool : Clampsticks

More Information for cable accessories, installation instructions, technical questions. Please contact your local Electrical Terminations & Components representative or visit our website <http://www.etcaustralia.com.au>