



E.T.C AUSTRALIA

Tel:+61 08 9437 1313 Fax:+61 08 9437 1103



ETC LBEC 15/200 Loadbreak Insulated Protective Cap For 15kV,200A

General:

The ETC LBEC 15/200 Insulated Protective Cap is an accessory device designed to electrically insulate and mechanically seal loadbreak bushing interfaces. It also protects the de-energized interface from dust and damp.

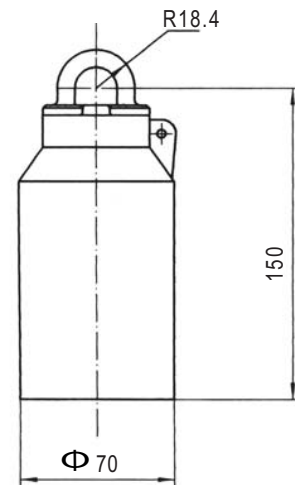
The cap can be used for permanent or temporary installation on bushings, 200A junctions or feedthru devices. If there is a reserved interface in the junctions or the bushings, the insulated protective cap must be used.

This cap is molded of high quality EPDM insulation. When mated to a loadbreak product and the drain wire is attached to ground, the insulating protective cap provides a fully shielded insulating cover for energized bushings.



LBEC 15/200
Insulated Protective Cap

DIMENSIONS(mm)



Electrical Characteristics:

Voltage Ratings and Characteristics	
Description	kV
Standard Voltage Class	15
Maximum Rating Phase-to-phase	14.4
Maximum Rating Phase-to-ground	8.3
AC 50 Hz 1 Minute Withstand	42
DC 15 Minute Withstand	53
BIL and Full Wave Crest	95
15kV Partial Discharge	≤ 10pC
Electrical Characteristics are in accordance with or exceed GB/T 12706.4-2002, ANSI/IEEE 386-1995, IEC 60502-4:1997.	

Standard Packaging List:

1	Insulated Protective Cap
2	1.5mm ² Copper Grounding Wire
3	Silicone Lubricant
4	Cleaning Paper
5	Installation Instruction Sheet
6	Quality Certificate



E.T.C AUSTRALIA

Tel:+61 08 9437 1313 Fax:+61 08 9437 1103

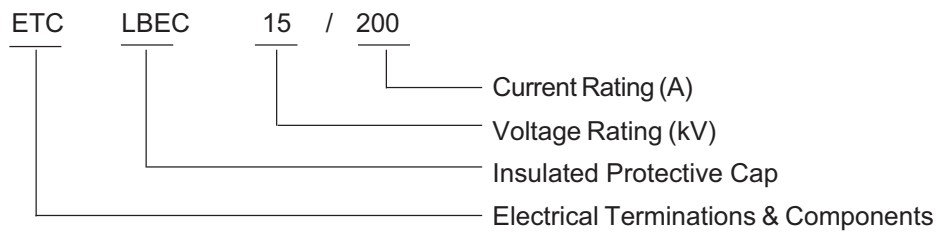


200-15

Ordering Information:

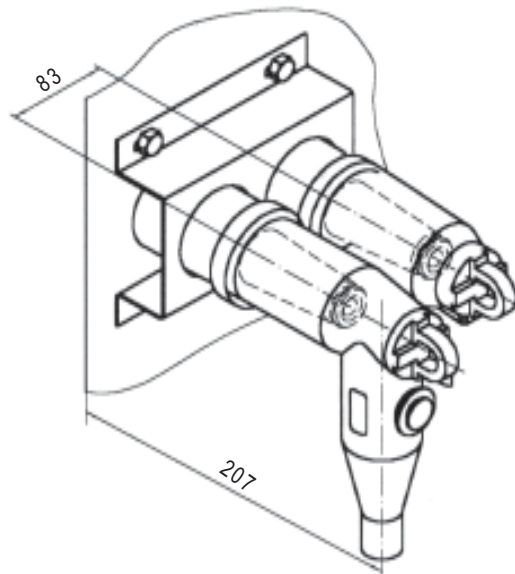
Catalogue Number	Voltage Rating(kV)	Current Rating (A)
ETC LBEC 15/200	15	200

Code Information:



Typical Arrangement:

200A Loadbreak Junction + Mounting Bracket + 200A Loadbreak Elbow connector + 200A Insulated Protection Cap (15kV Class)



Special Operating Tool: Clampstick

Important:



All of the 200A spare interface must be covered with 200A Insulated Protective Cap . Red Shipping Cap is not for energized operation. Do not replace the Insulated Protective Cap with Red Shipping Cap .

More Information for cable accessories, installation instructions, technical questions. Please contact your local Electrical Terminations & Components representative or visit our website <http://www.etcaustralia.com.au>