



ETC IDB_ - 24/250 Integral Deadbreak Bushing

Up to 24kV, 250 Amp Class



ETC IDB_-24/250 Integral Deadbreak Bushing

General:

The ETC IDB_-24/250 Integral Deadbreak Bushing ("_ "A-universal; B-lengthened) combines the advantages of reliable integral design with the operating features required for three phase switching. The bushing is designed for padmounted transformers, switchgear and other apparatus filled with transformer oil, or an approved equivalent. It eliminates the insert-to-well interface present in bushing well and insert primary terminations.

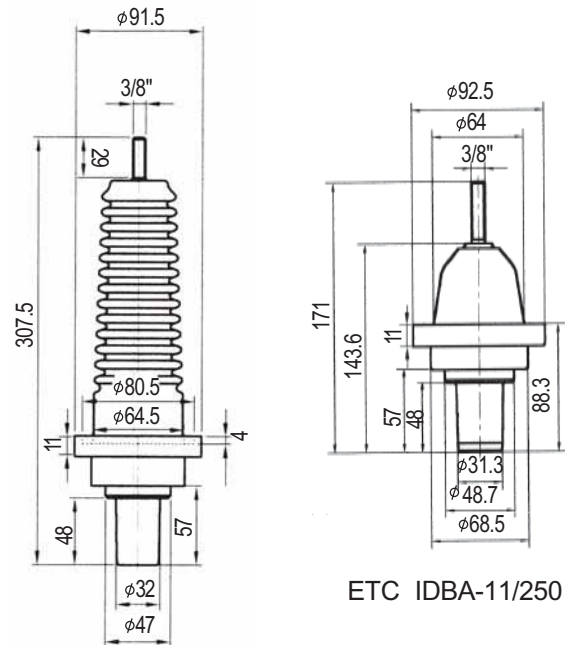
The Bushing is molded with high quality insulating material. When mated with comparably rated products, it provides a fully shielded, submersible and separable connection for deadbreak operation.

The ETC IDB_-24/250 Integral Deadbreak Bushing includes two kinds. Type A is used in oil-insulated apparatus and type B is suitable for the air-insulated devices.

Electrical Characteristics:

Voltage Ratings and Characteristics	
Description	KV
Standard Voltage Class	24
Maximum Rating Phase-to-ground	12
AC 50 Hz 1 Minute Withstand	54
DC 15 Minute Withstand	48
BIL and Full Wave Crest	125
24kV Partial Discharge	≤ 10pc
Current Ratings and Characteristics	
Description	Amperes
Continuous	250A
Short Time	10,000 A rms symmetrical for 0.2s 3,500 A rms symmetrical for 3.0 s
Electrical characteristics are in accordance with or exceed DIN 47636 and IEC 60502.4-1997 standards.	

DIMENSIONS(mm)

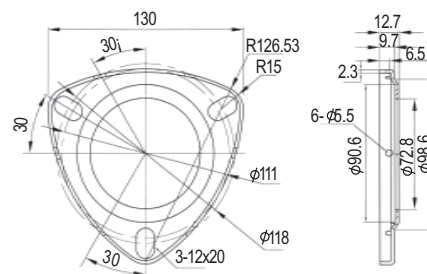


ETC IDBB-11/250

ETC IDBA-11/250

Standard Packaging List:

1	Integral Deadbeak Bushing
2	Gasket
3	Red Shipping Cap
4	Installation Instruction Sheet
5	Quality Certificate
6	3-Stud Clamp



3-Stud Clamp



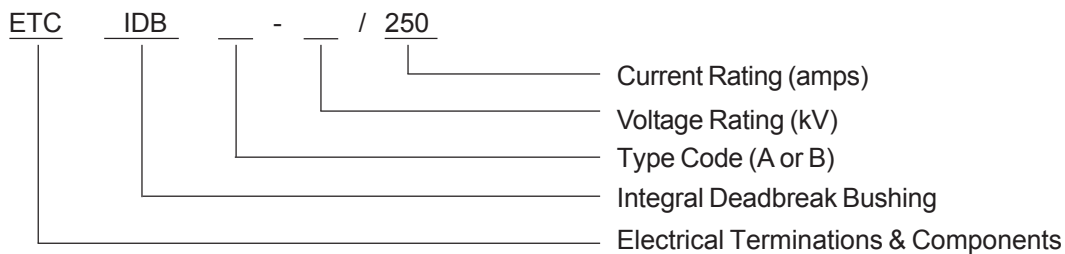
250-04

Ordering Information:

To order a 250 amps, 24 kV Integral Deadbreak Bushing. Please refer to the CODE INFORMATION and select the proper Catalogue Number below.

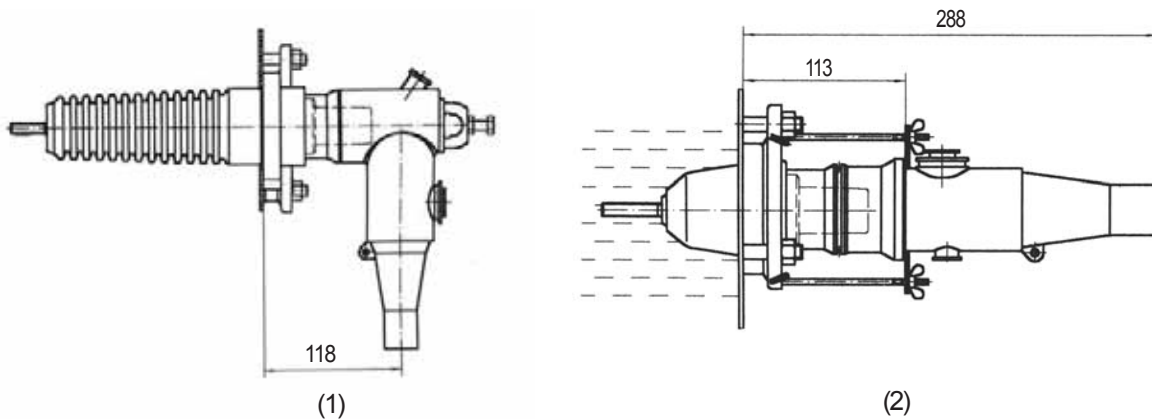
Catalogue Number	Voltage Rating(kV)	Current Rating(Amps)
ETC IDBA-24/250	24	250
ETC IDBB-24/250	24	250

Code Information:



Typical Arrangement:

- (1) 250amps Integral Deadbreak Bushing of Type B + 250amps Deadbreak Elbow Connector
- (2) 250amps Integral Deadbreak Bushing of Type A + 250amps Deadbreak Straight Connector



Caution:

- ⚠ a. Hold tucked fringe of the clamping flange against the bushing, otherwise the tank will not be sealed well
- b. All of the spare interface must be covered with comparably rated Insulated Protective Cap . Red Shipping Cap is not for energized operation. Do not replace the Insulated Protective Cap with Red Shipping Cap .

More Information for cable accessories, installation instructions, technical questions. Please contact your local Electrical Terminations & Components representative or visit our website <http://www.etcaustralia.com.au>