



ETC TGZ - 24/250

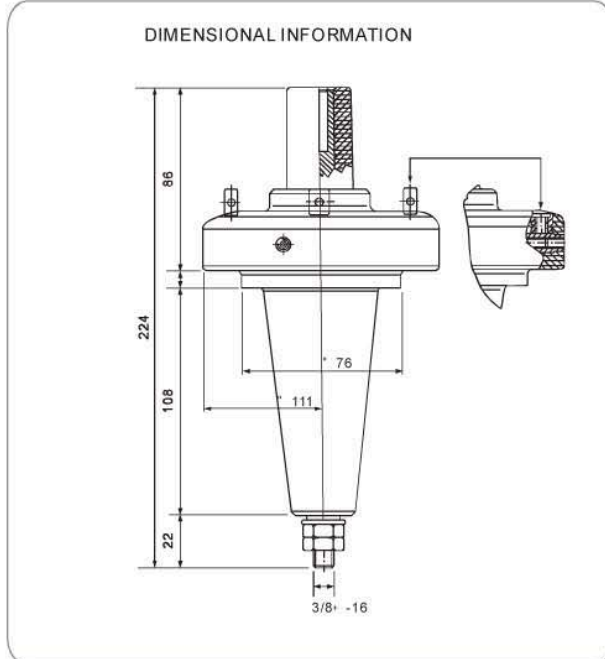
TRANSFORMER BUSHING

Up to 24kV, 250 Amp Class



ETC TGZ-24/250
Transformer Bushing

DIMENSION(mm)



General:

The ETC TGZ-24/250 Amp transformer bushing is used in Pad mounted Transformers, branch boxes, Switch gear and Ring Main Units.

This bushing is used for fixed entry of medium voltage cables to oil type installations and accepts the termination types ETC DB 24/250amp Dead Break Elbows & ETC DBS 24/250amp Straight Dead Breaks meeting the IEEE standard 386.

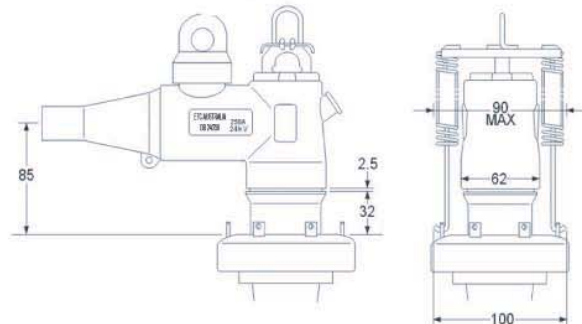
Application:

For oil-insulated (R - temp, hydrocarbon, or silicon) apparatus, including switchgear, transformers and capacitors.

System voltage up to 24kV
Continuous current 250A

For Indoor and outdoor installations
Mounting in vertical or horizontal position.

Installed Deadbreak Elbow and Dead end cap:



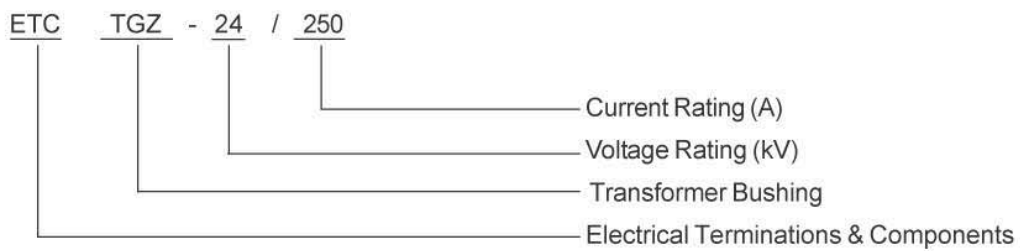


Ordering Information:

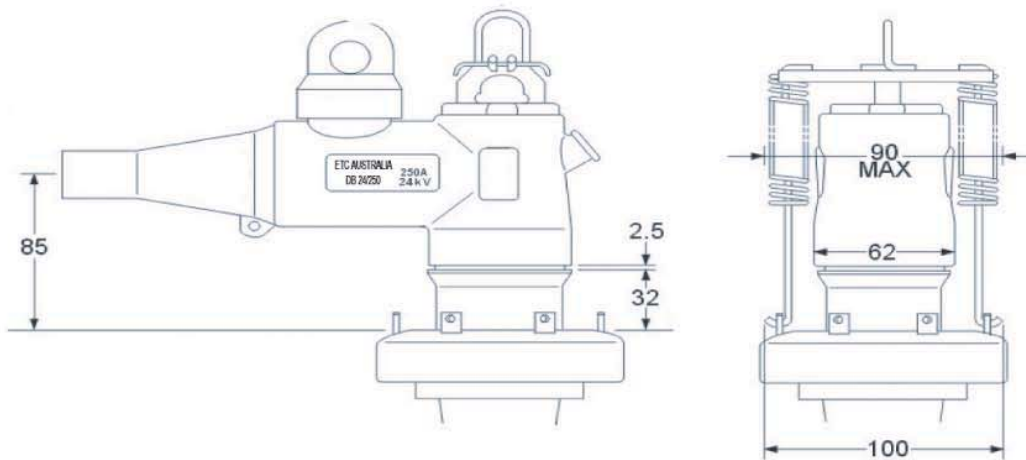
To order a 24kV 250 amp Transformer bushing . Please refer to the CODE INFORMATION and select the proper Catalogue Number below.

Catalogue Number	Current Rating(A)
ETC TGZ-24/250	250

Code Information:



Typical Arrangement:



DIMENSION(mm)

More Information for cable accessories, installation instructions, technical questions. Please contact your local Electrical Terminations & Components representative or visit our website <http://www.etcaustralia.com.au>