

ETC DBEC 24/630 Deadbreak Insulated Protective Cap

For 630A, Upto 24kV



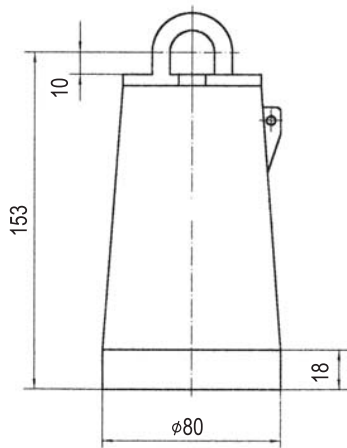
DBEC 24/630
Insulated Protective Cap

General:

The ETC DBEC 24/630 Insulated Protective Cap meets the full requirements of DIN Standard 47636- "Separable Insulated Connector Systems" and provides insulated, fully shielded submersible protection for energized 24kV class deadbreak bushing interface. The cap is required for temporary or permanent installation on 24kV deadbreak bushings, junctions and other accessories having interface that conforms to DIN Standard 47636. If there is a reserved interface in the junctions or the bushings, the insulated protective cap must be used.

The molded EPDM semi-conducting shield maintains ground potential on the cap's surface when the drain wire is connected to a common ground.

DIMENSIONS(mm)



Electrical Characteristics:

Standard Voltage Class	24kV
Maximum Rating Phase-to-phase	24kV
AC50Hz 1 Minute Withstand	54kV
DC 15 Minute Withstand	48kV
BIL and Full Wave Crest	125kV
20kV Partial Discharge	≤10pC

Electrical characteristics are in accordance with or exceed DIN47636 and IEC60502.4-1997s standards.

Standard Packaging List:

1	Insulated Protective Cap
2	Silicone Lubricant
3	Cleaning Paper
4	Installation Instruction Sheet
5	Quality Certificate
6	1.5mm ² Copper Grounding Wire

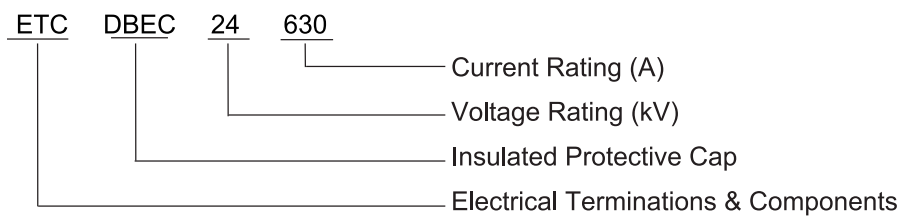
More Information for cable accessories, installation instructions, technical questions.
Please contact Electrical Terminations & Components representative or visit our website.

Ordering Information:

To order a 630 amp, 24kV Insulated Protective Cap kit . Please refer to the CODE INFORMATION and select the proper Catalogue Number below.

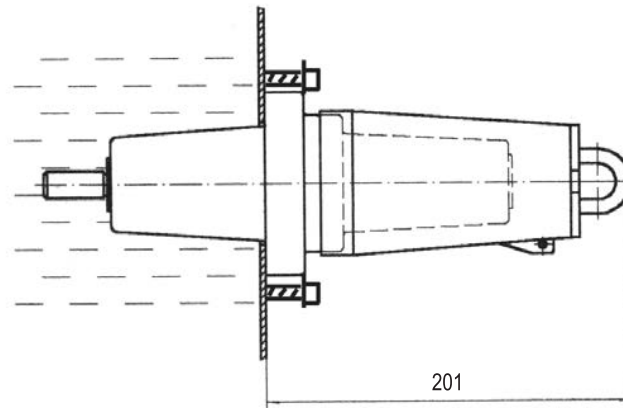
Catalogue Number	Current Rating (A)
ETC DBEC 24/630	630

Code Information:



Typical Arrangement:

630A Integrel Deadbreak Bushing+630A Insulated Protective Cap



Important:

! All of the spare interface must be covered with comparably rated Insulated Protective Cap. **!**
 The Red Shipping Cap **!** is not for energized operation. Do not replace the Insulated Protective Cap **!**
 with Red Shipping Cap. **!**

More Information for cable accessories, installation instructions, technical questions.
 Please contact Electrical Terminations & Components representative or visit our website.